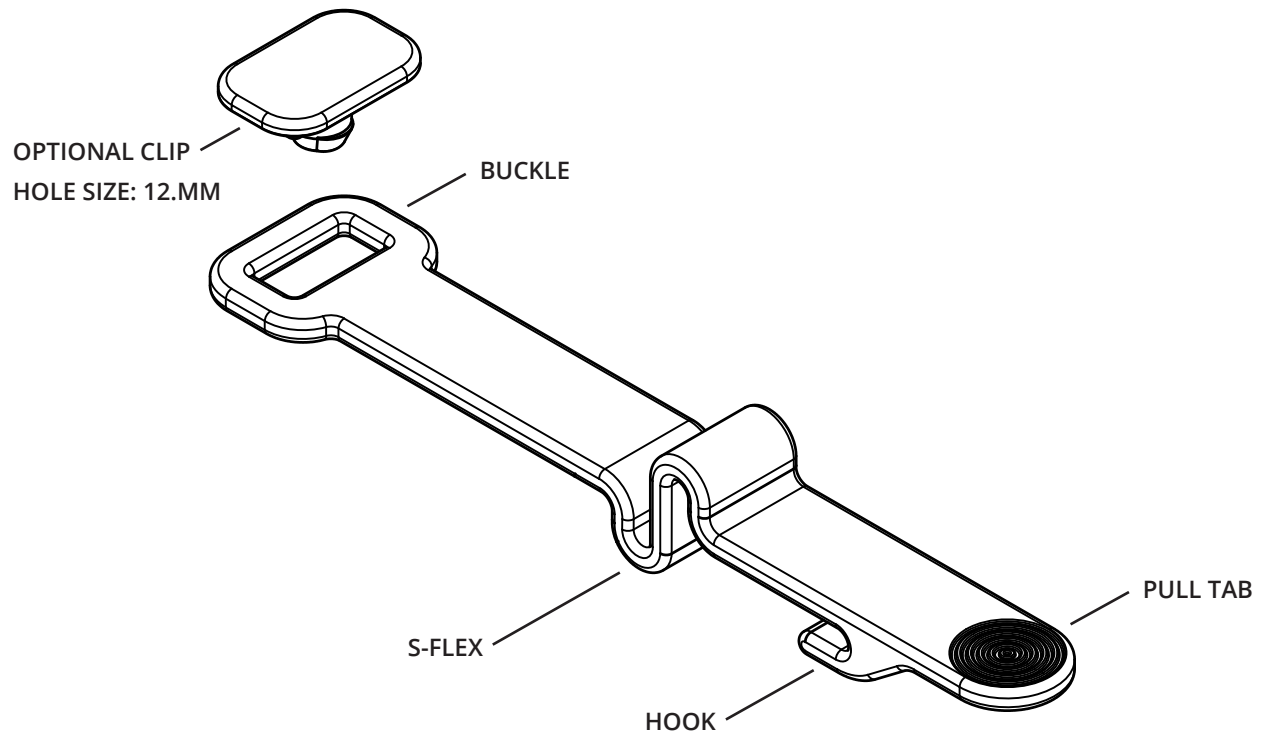


SAFEWASTE MULTI-FIT SPECIFICATIONS

1. PART DIAGRAM



2. MATERIALS USED

Main body

Engineering-grade elastomer

Clip stud

Engineering-grade plastic

3. PROPERTIES

Main body

- Excellent flex and memory characteristics over a wide range of temperatures
- High abrasion and tear resistance
- Impact resistant at low temperatures
- UV stable, very resistant to weathering
- Good chemical resistance, including oils, grease and common solvents
- Anti-microbial

- Environmentally friendly - 100% recyclable
- Material is classified as non-hazardous, does not contain any plasticisers
- F.D.A. approved, and R.E.A.C.H. certified

Clip stud

- High impact strength (even at low temperatures)
- High heat resistance
- Resistant to weathering and high UV radiation
- Excellent rigidity
- Low susceptibility to stress cracking
- Good chemical resistance
- Environmentally friendly - 100% recyclable
- Material is classified as non-hazardous
- R.E.A.C.H. certified